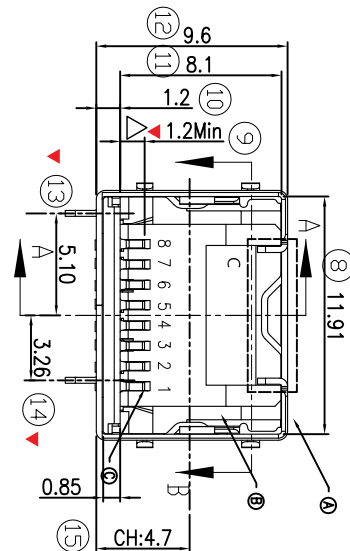
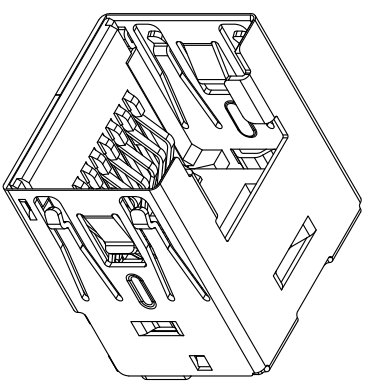
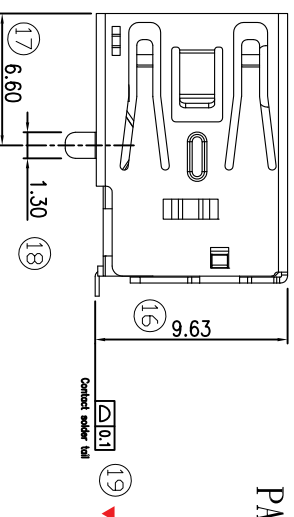


Section A-A



Section B-B



PART NUMBER : JCN-C61M-UMAQ-XXX2

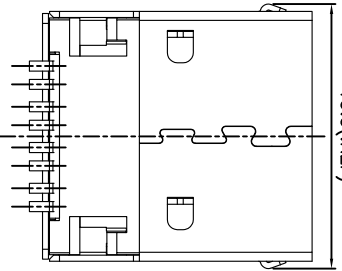
Plastic Color:
A=Blue
B=Black

Package:
R=Tapping Reel
T=Tary
U=Tube

NOTES:
1.ELECTRICAL:
1.1 Voltage Rating:125VAC RMS.
1.2 Current Rating:1.5 AMP.
1.3 Contact Resistance:30mΩ Max.
1.4 Insulation Resistance:1000MΩ Min. @500VDC.
1.5 Dielectric Strength:1000VAC RMS 60Hz,1MIN.
1.6 Operating:750 Cycles Min.
1.7 Insertion Loss @ 25K~212MHz: -1db

2.Mechanical:
2.1 Housing Material:High Temp UL94V-0.
2.2 Insert Material:Glass Filled Polyester UL94V-0.
2.3 Shield Material:SUS430 0.30mm Thickness Nickel Plating.
2.4 Contact Material:Phosphor Bronze 0.20mm Thickness.
2.5 Plating:Gold Plating Over Nickel.
2.6 PCB Retention PRE-Solder:1LBS Min.
2.7 PCB Retention POST-Solder:10LBS Min.

3.ENVIRONMENTAL:
3.1 Storage:-40°C TO +85°C.
3.2 Operation:-40°C TO +85°C.



△ D	TOLERANCE MODIFY	DRAWN	011922
△ C	DESIGN MODIFY	DRAWN	061521
MARK	REVISION RECORD	DRAWN	MMDDYY*

CHECKED	Leon
APPROVED	

NAME	R45 Cat6 Shield w/O Lens,2 Shield Dip,Receptacle(SFP)
SCALE	N/A
UNIT	mm
SHEET	1/3
SIZE	A4
ANGLE	45°

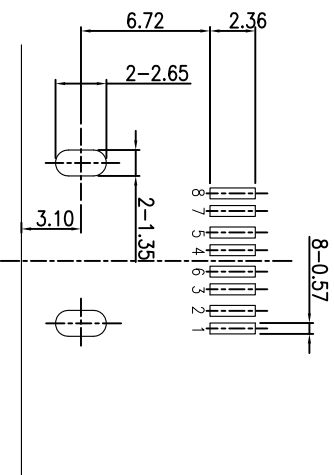
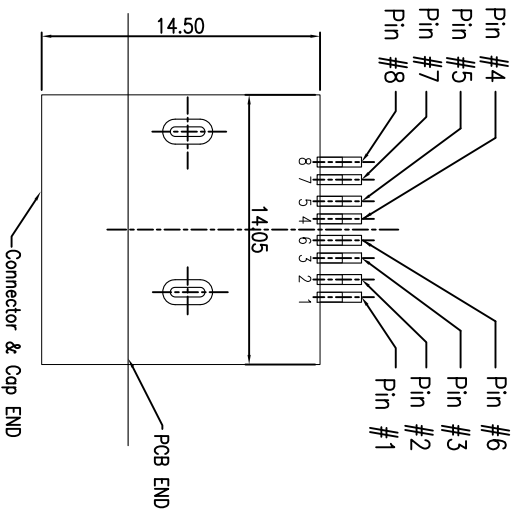
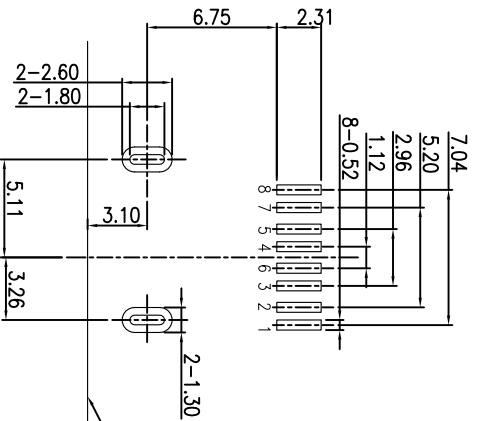
PART NO.	JCN-C61M-UMAQ-XXX2
DOC. NO.	JCN-C61M-UMAQ-XXX2



1	2	3	4	5
---	---	---	---	---

Design drawing

PIN ASSIGNMENT					
Pin Number	Description	Signal Name(10base-T)	Signal Name(100base-T)	Signal Name(1000base-T)	Color
1	Transmit Data + or Bidirectional	TX+	TX+	BI_DA+	White Green
2	Transmit Data - or Bidirectional	TX-	TX-	BI_DA-	Green
3	Receive Data + or Bidirectional	RX+	RX+	BI_DB+	White Orange
4	Not Connected or Bidirectional	n/c	n/c	BI_DC+	Blue
5	Not Connected or Bidirectional	n/c	n/c	BI_DC-	White Blue
6	Receive Data - or Bidirectional	RX-	RX-	BI_DD-	Orange
7	Not Connected or Bidirectional	n/c	n/c	BI_DD+	White Brown
8	Not Connected or Bidirectional	n/c	n/c	BI_DD-	Brown

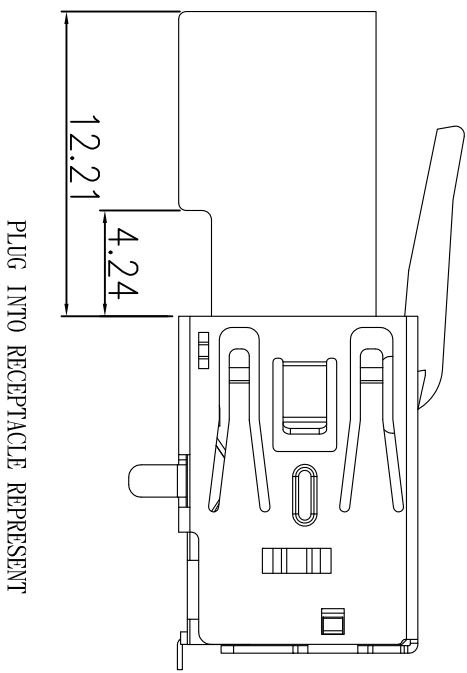
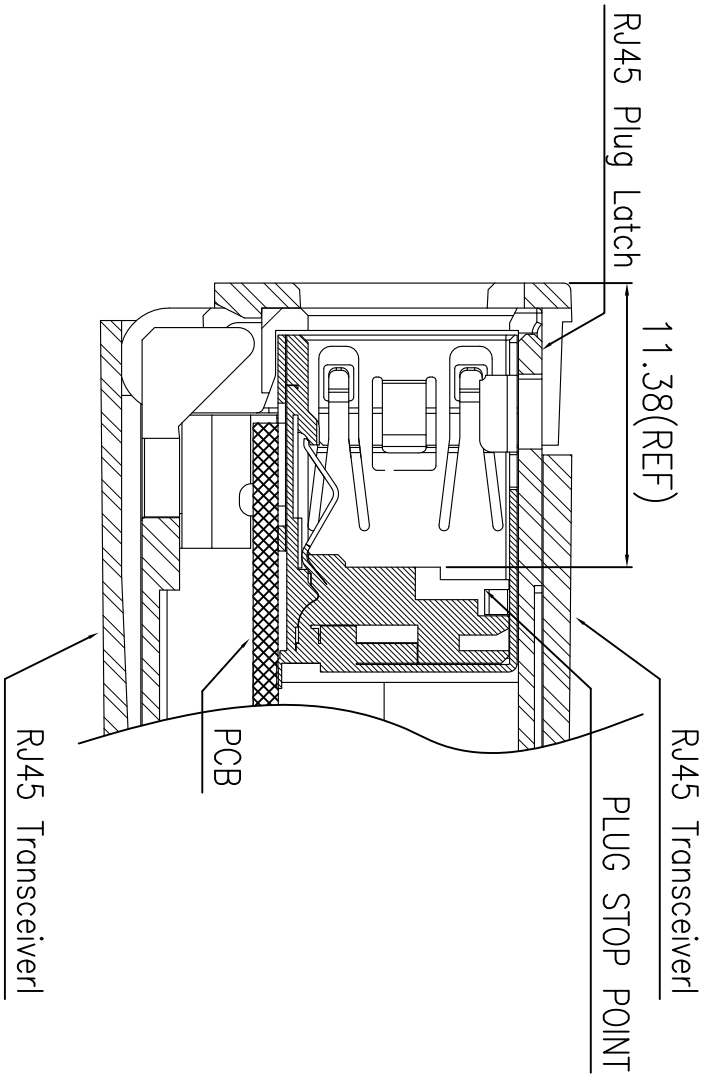


PCB Foot Printer Dimension
TOP VIEW Tolerance:±0.01mm

Connector Pin Define Sequence

SMT Stencil Aperture Dimension
TOP VIEW Tolerance:±0.01mm

CHECKED Leon		UNLESS OTHERWISE SPECIFIED TOLERANCE		NAME R45 Cat6 Shield w/O Lens,2 Shield Dip,Receptacle(SFP)		PART NO. JCN-C61M-UMAQ-XXX2					
APPROVED		Dimensional Range Tolerances		SCALE UNIT mm		DOC. NO. JCN-C61M-UMAQ-XXX2					
DESIGN MODIFY	DRAWN	REV. C	XX	±0.20	SHEET 2/3	③CONTACTS : COPPER ALLOY/NICKEL UNDERPLATED OVERALL GOLD FLASH AT CONTACT AREAS/LEAD FREE TIN ALLOY AT TERMINATION.					
REVISION RECORD	DRAWN	MMDDYY	XXX	±0.15	SIZE A4	④SHIELD : STAINLESS STEEL/NICKEL PLATING					
1	1	061521	XXXX	±0.10	ANGLE 45°	⑤HOUSING : HIGH TEMPERATURE PLASTIC					



CHECKED Leon		UNLESS OTHERWISE SPECIFIED TOLERANCE		NAME RJ45 cat6 Shield w/o Lens,2 Shield DIP,Receptacle(SFF)	
APPROVED		Dimensional Range Tolerance		SCALE UNIT mm	
REV.	REV.	XX	±0.20	SIZE	SHEET
C	C	XXX	±0.15	A4	3/3
		XXX	±0.10		
		ANGLE	±5°		
DESIGN MODIFY		DRAWN		PART NO.	
REVISION RECORD		DRAWN		JON-C61M-UMAQ-XXX2	
1		MDDVY		DOC. NO.	
				JON-C61M-UMAQ-XXX2	
				 THIS IS A ROHS COMPLIANT COMPONENT PRODUCT.	
				 V-GENERAL TECHNOLOGY 維將科技股份有限公司	

Design drawing