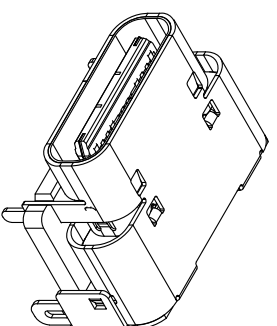


Section B-B

PART NUMBER : JCN-31CG-UGAR-BGR1



Plastic Color: \_\_\_\_\_  
 A=Blue  
 B=Black  
 Gold Plating: \_\_\_\_\_  
 G=Gold Flash  
 A=3u"  
 B=6u"  
 C=10u"  
 D=15u"  
 E=30u"  
 Package: \_\_\_\_\_  
 R=Reaping Reel  
 T=Flary  
 U=Tube

NOTES:

1. ELECTRICAL CHARACTERISTICS:
  - 1-1 CONTACT CURRENT RATING: 1.25A FOR VBUS PIN AND ITS CORRESPONDING GND PIN, 0.25A MIN FOR ALL OTHER CONTACTS.
  - 1-2 CONTACT RESISTANCE: INITIAL 30 MILLIOHMS MAX FOR VBUS AND GND CONTACT, INITIAL 40 MILLIOHMS MAX FOR ALL OTHER CONTACT, AFTER DURABILITY 10 MILLIOHMS MAX CHANGE.
  - 1-3 DIELECTRIC WITH STANDING: 100 MEGOHMS MIN
2. MECHANICAL CHARACTERISTICS:
  - 2-1 CONNECTOR MATING FORCE: 5~20N
  - 2-2 CONNECTOR UNMATING FORCE: 20N MIN INITIAL, 8N MIN AFTER DURABILITY.
  - 2-3 DURABILITY: 10000 CYCLES.
  - 2-4 OPERATING TEMPERATURE RANGE: -20°C TO +85°C
3. DIMENSIONS ARE IN MILLIMETERS, BRACKETED DIMENSIONS ARE INCHES EQUIVALENTS.
4. RECOMMENDED PROCESS: IR REFLOW PEAK TEMPERATURE 260°C
5. THE CONNECTOR IS ROHS COMPLIANT AND HALOGEN FREE.
6. WHEN PLUG IS INSERTED INTO CONNECTOR IN WORSE CONDITION, SPRING TIP TOUCH PCB, SO INHIBIT CIRCUIT IN SPRING TIP AREA.
7.  RoHS2.0 & REACH
8.  HF

CHECKED: Steve  
 APPROVED: Leon  
 NAME: US32 Ganged 0.1 Rev. 317.0mm 3.4mm DP Small Receptacle  
 SCALE: N/A  
 UNIT: mm  
 SHEET: 1/3  
 DIMENSIONAL RANGE TOLERANCE: XX ±0.35, XXX ±0.25, XXXX ±0.15  
 ANGLE: 45°

UNLESS OTHERWISE SPECIFIED TOLERANCE: XX ±0.35, XXX ±0.25, XXXX ±0.15  
 DIMENSIONAL RANGE TOLERANCE: XX ±0.35, XXX ±0.25, XXXX ±0.15  
 ANGLE: 45°  
 MATERIAL: STAINLESS STEEL / BRIGHT NICKEL PLATING  
 HOUSING: HIGH TEMPERATURE PLASTIC  
 CONTACTS: COPPER ALLOY/NICKEL-UNDERPLATED OVER-LEAD FREE TIN ALLOY AT TERMINATION.

PART NO. JCN-31CG-UGAR-BGR1  
 DOC. NO. JCN-31CG-UGAR-BGR1

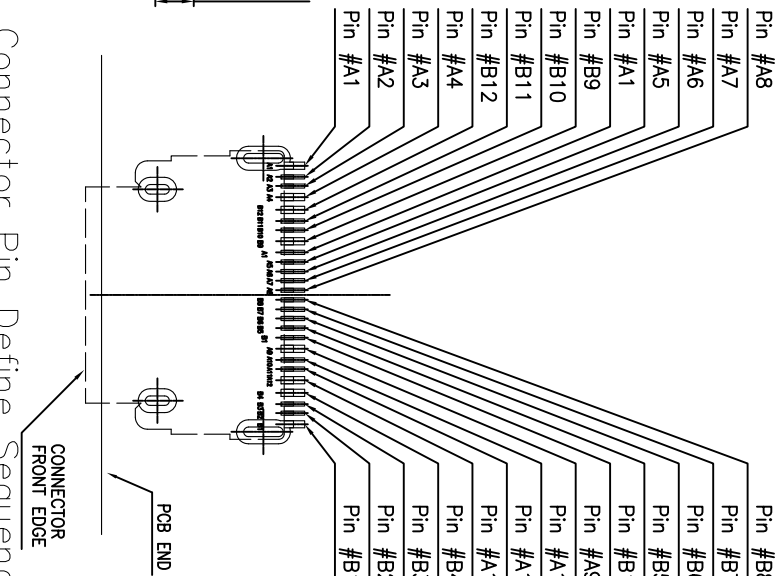
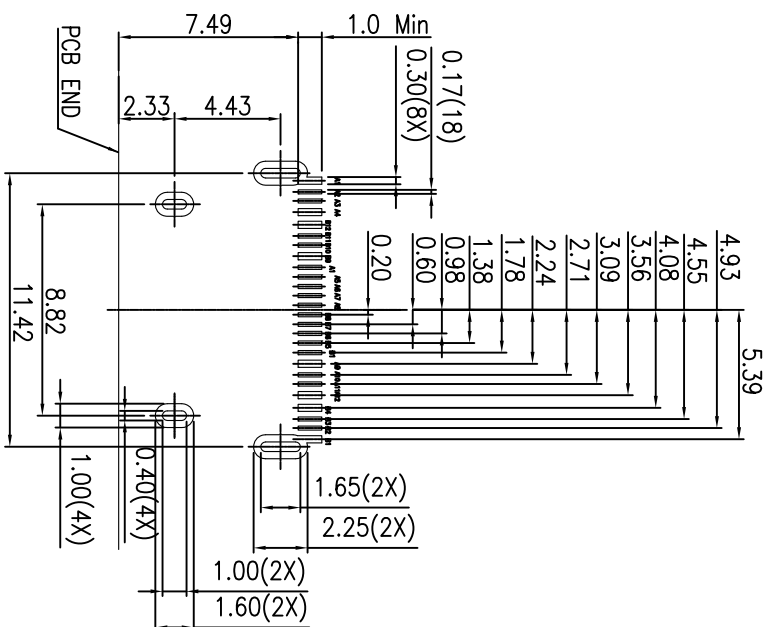
HF  
 ROHS  
 THIS IS A ROHS COMPLIANT COMPONENT PRODUCT.  
 V-GENERAL TECHNOLOGY  
 維精科技股份有限公司  
 Design drawing

△D	增加激光點焊	DRAWN	120921
△C	MODIFY	DRAWN	092820
MARK	REVISION RECORD	DRAWN	MMDDYY

1	2	3	4	5
---	---	---	---	---

Pin Number	Signal Name	Description	Pin Number	Signal Name	Description
A1	SS TX1+	Positive half of first SuperSpeed TX differential pair	B12	SS TX1+	Positive half of first SuperSpeed TX differential pair
A2	SS TX1-	Negative half of first SuperSpeed TX differential pair	B11	SS TX1-	Negative half of first SuperSpeed TX differential pair
A3	SS TX2+	Positive half of second SuperSpeed TX differential pair	B10	SS TX2+	Positive half of second SuperSpeed TX differential pair
A4	SS TX2-	Negative half of second SuperSpeed TX differential pair	B9	SS TX2-	Negative half of second SuperSpeed TX differential pair
A5	SS TX3+	Positive half of third SuperSpeed TX differential pair	B8	SS TX3+	Positive half of third SuperSpeed TX differential pair
A6	SS TX3-	Negative half of third SuperSpeed TX differential pair	B7	SS TX3-	Negative half of third SuperSpeed TX differential pair
A7	SS TX4+	Positive half of fourth SuperSpeed TX differential pair	B6	SS TX4+	Positive half of fourth SuperSpeed TX differential pair
A8	SS TX4-	Negative half of fourth SuperSpeed TX differential pair	B5	SS TX4-	Negative half of fourth SuperSpeed TX differential pair
A9	SS TX5+	Positive half of fifth SuperSpeed TX differential pair	B4	SS TX5+	Positive half of fifth SuperSpeed TX differential pair
A10	SS TX5-	Negative half of fifth SuperSpeed TX differential pair	B3	SS TX5-	Negative half of fifth SuperSpeed TX differential pair
A11	SS TX6+	Positive half of sixth SuperSpeed TX differential pair	B2	SS TX6+	Positive half of sixth SuperSpeed TX differential pair
A12	SS TX6-	Negative half of sixth SuperSpeed TX differential pair	B1	SS TX6-	Negative half of sixth SuperSpeed TX differential pair

PIN ASSIGNMENT



Connector Pin Define Sequence

PCB Foot Printer Dimension

TOP VIEW Tolerance: ±0.01mm

SMT Stencil Aperture Dimension  
TOP VIEW Tolerance: ±0.01mm

CHECKED  
Steve

APPROVED  
Leon

REVISION RECORD

UNLESS OTHERWISE SPECIFIED TOLERANCE

SCALE UNIT

SHEET

MATERIAL SPECIFICATION

SHIELD : STAINLESS STEEL / BRIGHT NICKEL PLATING

HOUSING : HIGH TEMPERATURE PLASTIC

CONTACTS : COPPER ALLOY / NICKEL UNDERPLATED OVERALL LEAD FREE TIN ALLOY AT TERMINATION.

PART NO.

DOC. NO.

HF ROHS

V-GENERAL TECHNOLOGY

維精科技股份有限公司

Design drawing

THIS IS A ROHS COMPLIANT COMPONENT PRODUCT.

Dimension Range Tolerance

XX XX ±0.35

XXX XXX ±0.25

XXXX XXXX ±0.15

ANGLE 45°

SIZE A4

2/3

JCN-31CG-UGAR-BGR1

JCN-31CG-UGAR-BGR1

120921

092820

MDDVY

1

2

3

4

5

1

2

3

4

5

1

2

3

4

5

1

2

3

4

5

1

2

3

4

5

1

2

3

4

5

1

2

3

4

5

1

2

3

4

5

1

2

3

4

5

1

2

3

4

5

1

2

3

4

5

1

2

3

4

5

1

2

3

4

5

1

2

3

4

5

1

2

3

4

5

1

2

3

4

5

1

2

3

4

5

1

2

3

4

5

1

2

3

4

5

1

2

3

4

5

1

2

3

4

5

1

2

3

4

5

1

2

3

4

5

1

2

3

4

5

1

2

3

4

5

1

2

3

4

5

1

2

3

4

5

1

2

3

4

5

1

2

3

4

5

1

2

3

4

5

1

2

3

4

5

1

2

3

4

5

1

2

3

4

5

1

2

3

4

5

1

2

3

4

5

1

2

3

4

5

1

2

3

4

5

1

2

3

4

5

1

2

3

4

5

1

2

3

4

5

1

2

3

4

5

1

2

3

4

5

1

2

3

4

5

1

2

3

4

5

1

2

3

4

5

1

2

3

4

5

1

2

3

4

5

1

2

3

4

5

1

2

3

4

5

1

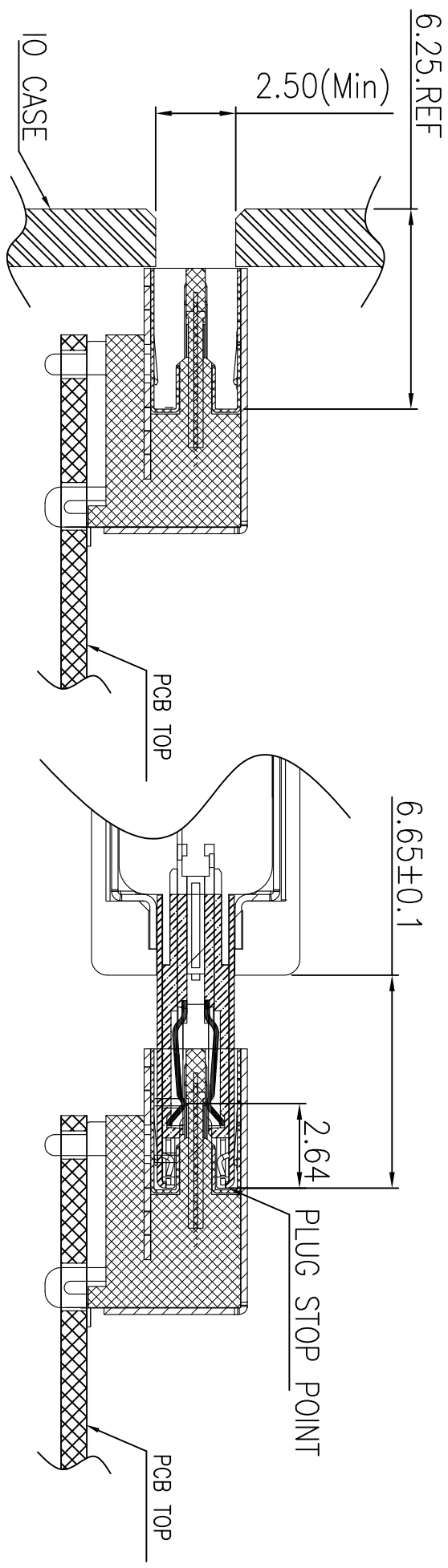
2

3

4

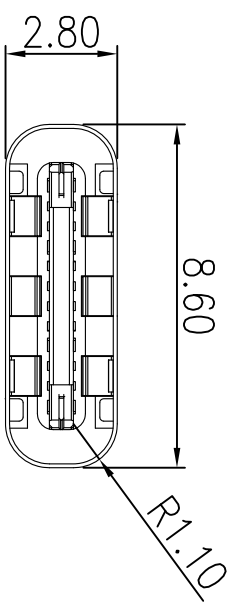
5

1



# IO PANEL

## PLUG INTO RECEPTACLE REPRESENT



Panel Cut Out

CHECKED		NAME		USB3.2 Gen2Gen3 C,1 Row SMT,Offset 3.4mm,Dip Shell,Receptacle		PART NO.		HF	
Steve		SCALE		N/A		JCN-31CG-UGAR-BGR1		ROHS	
APPROVED		UNIT		mm		DOC. NO.		THIS IS A ROHS COMPLIANT COMPONENT PRODUCT.	
Leon		SHEET		3/3		JCN-31CG-UGAR-BGR1		V-GENERAL TECHNOLOGY	
UNLESS OTHERWISE SPECIFIED TOLERANCE		SIZE		A4				維濤科技股份有限公司	
Dimension Range Tolerance		ANGLE						Design drawing	
XX		±0.35							
XXX		±0.25							
XXXX		±0.15							
ANGLE		45°							
REVISION RECORD		DRAWN		MIMDYV					
MARK		DRAWN							
MODIFY		DRAWN		092820					
增加激光打标		DRAWN		120921					