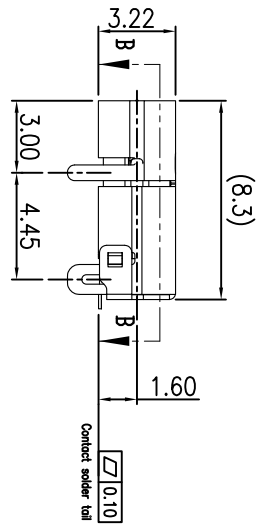
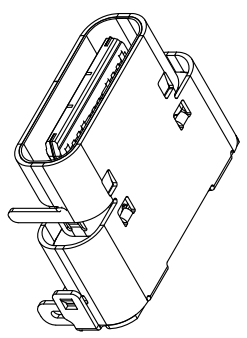
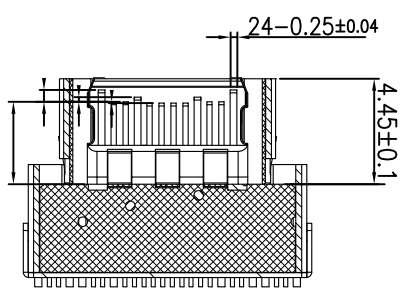


Section A-A



Section B-B



PART NUMBER : JCN-U4CG-UDAB-XXX1

Plastic Color: _____
 A=Blue
 B=Black
 Package: _____
 R=Taping Reel
 T=Tary
 U=Tube

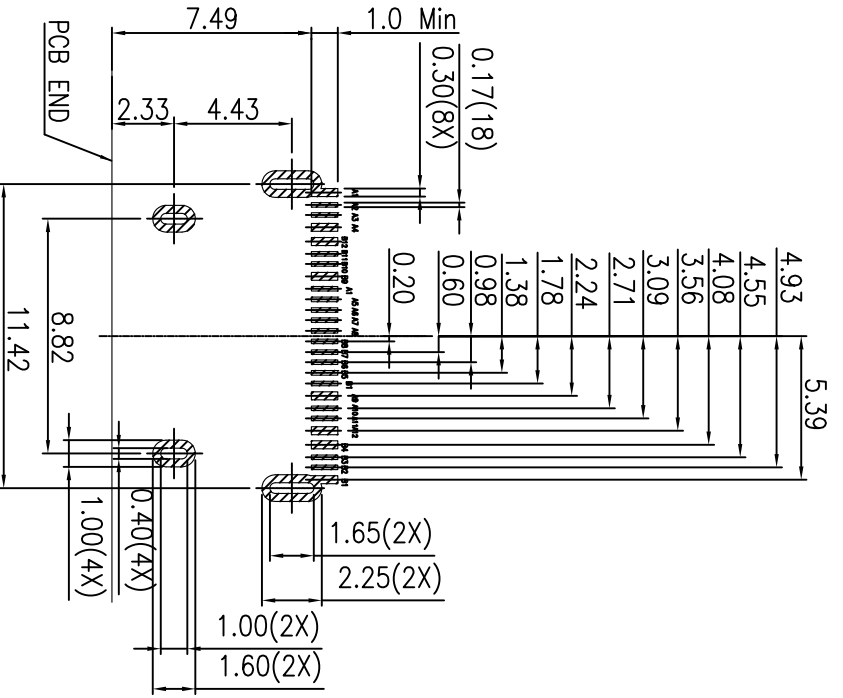
Gold Plating:
 G=Gold Flash
 A=3u"
 B=6u"
 C=10u"
 D=15u"
 F=30u"

NOTES:

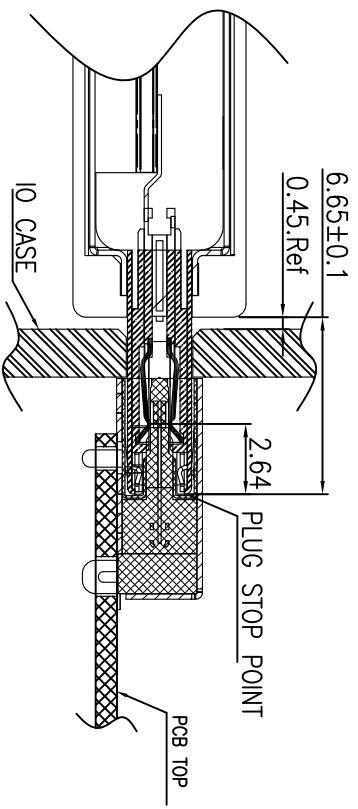
- ELECTRICAL CHARACTERISTICS:
 - 1-1 CONTACT CURRENT RATING: 1.25A FOR VBUS PIN AND ITS CORRESPONDING GND PIN, 0.25A MIN FOR ALL OTHER CONTACTS.
 - 1-2 CONTACT RESISTANCE: INITIAL 30 MILLIOHMS MAX FOR VBUS AND GND CONTACT, INITIAL 40 MILLIOHMS MAX FOR ALL OTHER CONTACT, AFTER DURABILITY 10 MILLIOHMS MAX CHANGE.
 - 1-3 DIELECTRIC WITH STANDING: 100 MEGOHMS MIN
- MECHANICAL CHARACTERISTICS:
 - 2-1 CONNECTOR MATING FORCE: 5~20N
 - 2-2 CONNECTOR UNMATING FORCE: 20N MIN INITIAL, 8N MIN AFTER DURABILITY.
 - 2-3 DURABILITY: 10000 CYCLES.
 - 2-4 OPERATING TEMPERATURE RANGE: -20°C TO +85°C
- DIMENSIONS ARE IN MILLIMETERS, BRACKETED DIMENSIONS ARE INCHES EQUIVALENTS.
- RECOMMENDED PROCESS: IR REFLOW PEAK TEMPERATURE 260°C
- THE CONNECTOR IS ROHS COMPLIANT AND HALOGEN FREE.
- WHEN PLUG IS INSERTED INTO CONNECTOR IN WORSE CONDITION, SPRING TIP TOUCH PCB, SO INHIBIT CIRCUIT IN SPRING TIP AREA.

CHECKED Leon		UNLESS OTHERWISE SPECIFIED TOLERANCE		NAME US32 Gen3x2/Gen3x4/Gen3x4/Gen3x4 C1 Row SMT/Offset 1.6mm Dip Small/Receptacle	
APPROVED Xavier		Dimensional Range / Tolerance		SCALE UNIT mm	
REV. A		XX		A4	
NEW DESIGN		XX		SHEET 1/2	
REVISION RECORD		XX		CONTACTS : COPPER ALLOY/NICKEL-UNDERPLATED OVER/ALLOY FREE TIN ALLOY AT TERMINATION.	
DRAWN MIDDYV		40.35		DOC. NO. JCN-U4CG-UDAB-XXX1	
DRAWN 050820		40.25		PART NO. JCN-U4CG-UDAB-XXX1	
		40.15		ROHS HF THIS IS A ROHS COMPLIANT COMPONENT PRODUCT.	
		45°		V-GENERAL TECHNOLOGY 維精科技股份有限公司	
				Design drawing	

PIN ASSIGNMENT		
Pin Number	Signal Name	Description
A1	GND	Ground for Power Return
A2	SS TX1+	Positive half of first SuperSpeed TX differential pair
A3	SS TX1-	Negative half of first SuperSpeed TX differential pair
A4	VBUS	POWER
A5	CCI	Configuration Channel
A6	D+	USB2.0 differential pair
A7	D-	USB2.0 differential pair
A8	SBU1	Sideband Use (SBU)
A9	VBUS	POWER
A10	SS RX2-	Negative half of second SuperSpeed RX differential pair
A11	SS RX2+	Positive half of second SuperSpeed RX differential pair
A12	GND	Ground for Power Return
B12	GND	Ground for Power Return
B11	SS RX1+	Positive half of first SuperSpeed RX differential pair
B10	SS RX1-	Negative half of first SuperSpeed RX differential pair
B9	VBUS	POWER
B8	SBU2	Sideband Use (SBU)
B7	D-	USB2.0 differential pair
B6	D+	USB2.0 differential pair
B5	CC2	Configuration Channel
B4	VBUS	POWER
B3	SS TX2-	Negative half of second SuperSpeed TX differential pair
B2	SS TX2+	Positive half of second SuperSpeed TX differential pair
B1	GND	Ground for Power Return



RECOMMEND PCB LAYOUT
TOP VIEW Tolerance: ±0.05mm
SOLDER AREA
Tolerance: +0.05mm



PLUG INTO RECEPTACLE REPRESENT

CHECKED Leon		UNLESS OTHERWISE SPECIFIED TOLERANCE		NAME USB3.2 Gen2x2 Gen1 USB4 Gen2x2 Gen1 C1 Row SMT 0.6mm 1.6mm Dps Shell Receptacle	
APPROVED Xavier		Dimensional Range Tolerance		SCALE UNIT	
REV. A		XX	±0.35	N/A	
DRAWN WIMIDDY		XXX	±0.25	mm	
REVISION RECORD		XXX	±0.15	SIZE	
NEW DESIGN		ANGLE	45°	A4	
REVISION RECORD				SHEET 2/2	
DRAWN				① CONTACTS : COPPER ALLOY/NICKEL-UNDERPLATED OVER/LEAD FREE TIN ALLOY AT TERMINATION.	
DRAWN				② HOUSING : HIGH TEMPERATURE PLASTIC	
DRAWN				③ SHIELD : STAINLESS STEEL/NICKEL PLATING	
DRAWN				④ MATERIAL: BARE COPPER	
DRAWN				PART NO. JCN-U4CG-UDAB-XXX1	
DRAWN				DOC. NO. JCN-U4CG-UDAB-XXX1	
DRAWN					
DRAWN					
DRAWN					