

PART NUMBER : JCN-U4CG-UHAB-XXXI

Plastic Color: _____
 A=Blue
 B=Black
 Gold Plating: _____
 G=Gold Flash
 A=3u"
 B=6u"
 C=10u"
 D=15u"
 F=30u"
 Package: _____
 R=Reaping Reel
 T=Flarey
 U=Tube

NOTES:

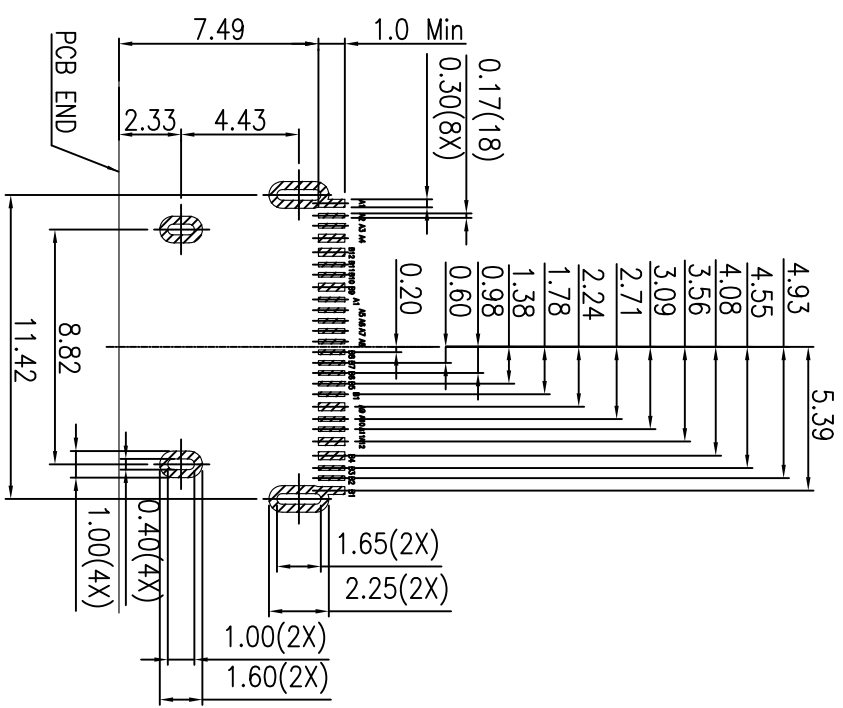
1. ELECTRICAL CHARACTERISTICS:
 - 1-1 CONTACT CURRENT RATING: 1.25A FOR VBUS PIN AND ITS CORRESPONDING GND PIN, 0.25A MIN FOR ALL OTHER CONTACTS.
 - 1-2 CONTACT RESISTANCE: INITIAL 30 MILLIOHMS MAX FOR VBUS AND GND CONTACT, INITIAL 40 MILLIOHMS MAX FOR ALL OTHER CONTACT, AFTER DURABILITY 10 MILLIOHMS MAX CHANGE.
 - 1-3 DIELECTRIC WITH STANDING: 100 MEGOHMS MIN
2. MECHANICAL CHARACTERISTICS:
 - 2-1 CONNECTOR MATING FORCE: 5~20N
 - 2-2 CONNECTOR UNMATING FORCE: 20N MIN INITIAL, 8N MIN AFTER DURABILITY.
 - 2-3 DURABILITY: 10000 CYCLES.
 - 2-4 OPERATING TEMPERATURE RANGE: -20°C TO +85°C
3. DIMENSIONS ARE IN MILLIMETERS, BRACKETED DIMENSIONS ARE INCHES EQUIVALENTS.
4. RECOMMENDED PROCESS: IR REFLOW PEAK TEMPERATURE 260°C
5. THE CONNECTOR IS ROHS COMPLIANT AND HALOGEN FREE.
6. WHEN PLUG IS INSERTED INTO CONNECTOR IN WORSE CONDITION, SPRING TIP TOUCH PCB, SO INHIBIT CIRCUIT IN SPRING TIP AREA.

Section B-B

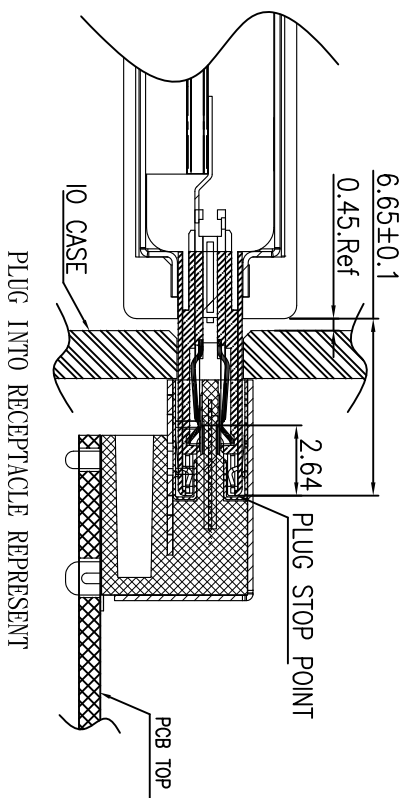
CHECKED Leon		UNLESS OTHERWISE SPECIFIED TOLERANCE		NAME US32 Gen3x2/Gen3x4 Gen3x2/Gen3 C1 Row SMT/Offset 4.1mm/DP Shell/Receptacle	
APPROVED Xavier		Dimensional Range Tolerance		SCALE UNIT mm	
REV. X1		XX XX XX		SIZE A4	
DRAWN MIDDYV		40.35 40.25 40.15		SHEET 1/2	
DRAWN 050620		45°		CONTACTS : COPPER ALLOY/NICKEL-UNDERPLATED OVER/LEAD FREE TIN ALLOY AT TERMINATION.	
NEW DESIGN		REVISION RECORD		PART NO. JCN-U4CG-UHAB-XXXI	
MARK		DRAWN		DOC. NO. JCN-U4CG-UHAB-XXXI	



PIN ASSIGNMENT		
Pin Number	Signal Name	Description
A1	GND	Ground for Power Return
A2	SS TX1+	Positive half of first SuperSpeed TX differential pair
A3	SS TX1-	Negative half of first SuperSpeed TX differential pair
A4	VBUS	POWER
A5	CCI	Configuration Channel
A6	D+	USB2.0 differential pair
A7	D-	USB2.0 differential pair
A8	SBU1	Sideband Use (SBU)
A9	VBUS	POWER
A10	SS RX2-	Negative half of second SuperSpeed RX differential pair
A11	SS RX2+	Positive half of second SuperSpeed RX differential pair
A12	GND	Ground for Power Return
B12	GND	Ground for Power Return
B11	SS RX1+	Positive half of first SuperSpeed RX differential pair
B10	SS RX1-	Negative half of first SuperSpeed RX differential pair
B9	VBUS	POWER
B8	SBU2	Sideband Use (SBU)
B7	D-	USB2.0 differential pair
B6	D+	USB2.0 differential pair
B5	CC2	Configuration Channel
B4	VBUS	POWER
B3	SS TX2-	Negative half of second SuperSpeed TX differential pair
B2	SS TX2+	Positive half of second SuperSpeed TX differential pair
B1	GND	Ground for Power Return



RECOMMEND PCB LAYOUT
TOP VIEW Tolerance:±0.05mm
SOLDER AREA
Tolerance:±0.05mm



PLUG INTO RECEPTACLE REPRESENT

CHECKED Leon		UNLESS OTHERWISE SPECIFIED TOLERANCE		NAME USB3.2 Gen2x2 Gen1 USB4 Gen2x2 Gen1 C1 Rev. SMT.orient 4.13mm.Dip SmallReceptacle	
APPROVED Xavier		Dimensional Range / Tolerance		SCALE N/A	
REV. X1	REV. X1	XX	±0.35	SIZE A4	SHEET 2/2
XX	XX	XXX	±0.25	ANGLE 45°	
XX	XX	XXXX	±0.15		
NEW DESIGN		DRAWN MIMIDDY		① CONTACTS : COPPER ALLOY/NICKEL-UNDERPLATED OVERALUMINUM FREE TIN	
REVISION RECORD		DRAWN 050820		② HOUSING : HIGH TEMPERATURE PLASTIC	
1		2		③ SHIELD : STAINLESS STEEL/NICKEL PLATING	
3		4		④ MATERIAL: BARRONZES	
5		6		PART NO. JCN-U4CG-UHAB-XXX1	
7		8		DOC. NO. JCN-U4CG-UHAB-XXX1	
9		10		HF ROHS	
11		12		THIS IS A ROHS COMPLIANT COMPONENT PRODUCT	
13		14		V-GENERAL TECHNOLOGY	
15		16		維濤科技股份有限公司	
17		18		Design drawing	