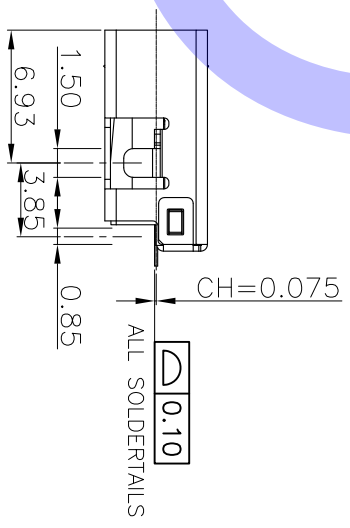
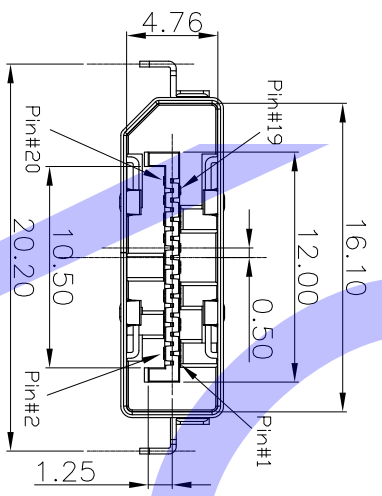


PART NUMBER : JCN-D2AG



CHECKED Leon		UNLESS OTHERWISE SPECIFIED TOLERANCE		NAME DisplayPort 2.0 A.1 Row SMT Offset 0.075mm Dip Shell Receptacle		MATERIAL/PLATING/NOTES ① SHIELD : STAINLESS STEEL/NICKEL PLATING ② HOUSING : HIGH TEMPERATURE PLASTIC		PART NO. JCN-D2AG		HF RoHS		V-GENERAL TECHNOLOGY 維將科技股份有限公司	
APPROVED Xavier		Dimension Range Tolerance		SCALE NA		UNIT mm		DOC. NO. JCN-D2AG		THIS IS A ROHS COMPLIANT COMPONENT PRODUCT			
REV. X1		X.XX ±0.35		SIZE A4		SHEET 1/2		③ CONTACTS : COPPER ALLOY/NICKEL UNDERPLATED OVERALL LEAD FREE TIN ALLOY AT TERMINATION.					
MARK		X.XXX ±0.15		ANGLE 45°									
REVISION RECORD		LEON		040620									
NEW DESIGN		BELLA											
1		DRAWN		MMDYY'									