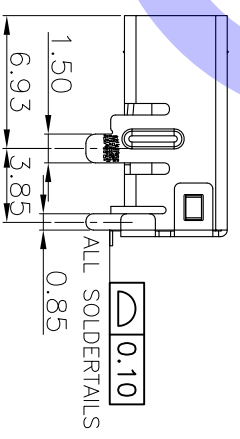
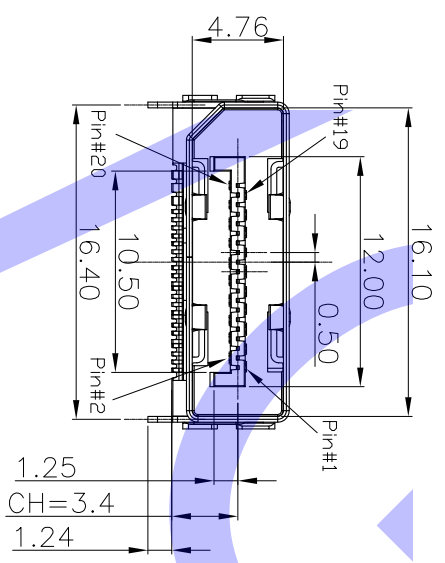


PART NUMBER : JCN-D2AG



CHECKED Leon

NAME DisplayPort 2.0 A.1 Row SMT Offset 3.4mm Dip Shell, Receptacle

HF ROHS

V-GENERAL TECHNOLOGY 維將科技股份有限公司

APPROVED Xdvier

UNLESS OTHERWISE SPECIFIED TOLERANCE Dimension Range Tolerance X.X ±0.35 X.XX ±0.25 X.XXX ±0.15 ANGLE 45°

MATERIAL/Plating/Notes @SHIELD : STAINLESS STEEL/NICKEL PLATING @HOUSING : HIGH TEMPERATURE PLASTIC

PART NO. JCN-D2AG

THIS IS A ROHS COMPLIANT COMPONENT PRODUCT.

REV. A

SIZE A4 SHEET 1/2

DOC. NO. JCN-D2AG

REVISION RECORD

Release NEW DESIGN BELLA MDDYY

MARK

REVISION RECORD

1

2

3

4

5

Design drawing