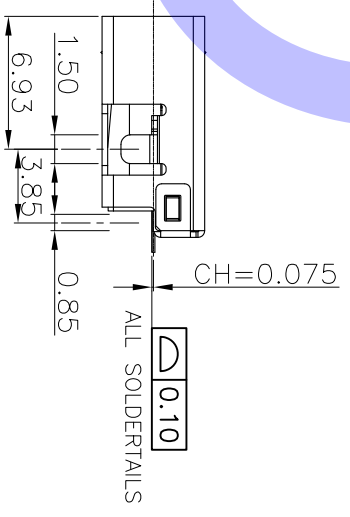
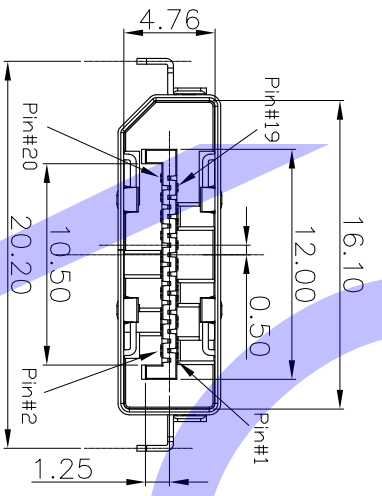


PART NUMBER : JCN-D1AG



CHECKED Leon		UNLESS OTHERWISE SPECIFIED TOLERANCE		NAME DisplayPort 1.4 A.1 Row SMT Offset 0.075mm Dip Shell Receptacle		SCALE NA		UNIT mm		Material/Plating/Notes	
APPROVED Xavier		Dimension Range		Tolerance		SIZE		SHEET		① SHIELD : STAINLESS STEEL/NICKEL PLATING ② HOUSING : HIGH TEMPERATURE PLASTIC	
REV. X1		X.XX		±0.25		A4		1/2		③ CONTACTS : COPPER ALLOY/NICKEL UNDERPLATED OVERALL LEAD FREE TIN ALLOY AT TERMINATION.	
MARK		X.XXX		±0.15						DOC. NO. JCN-D1AG	
REVISION RECORD		LEON		040620						PART NO. JCN-D1AG	
		BELLA								HF RoHS	
		DRAWN								THIS IS A ROHS COMPLIANT COMPONENT PRODUCT.	
		MMDYY'								 V-GENERAL TECHNOLOGY 維將科技股份有限公司	