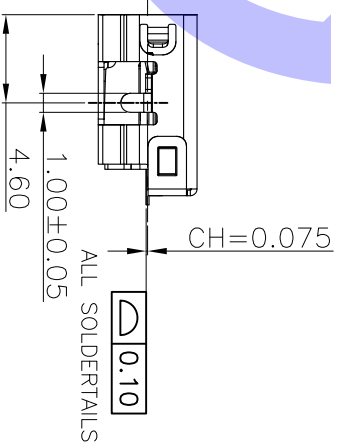
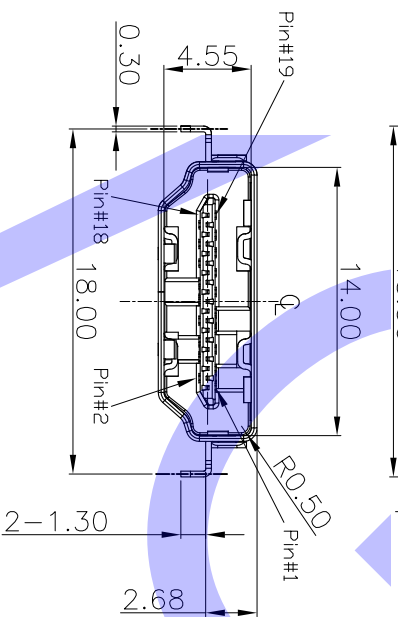
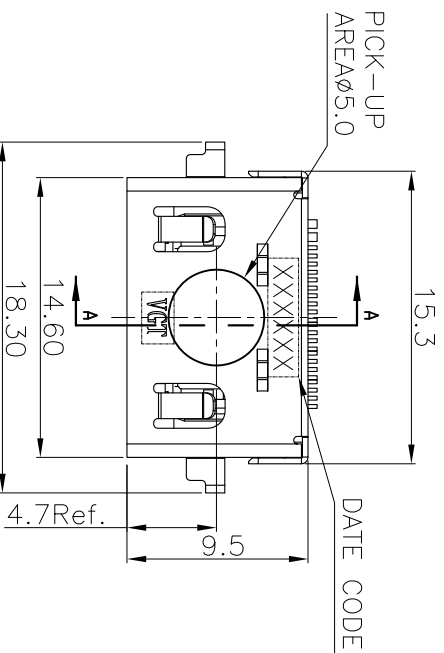


PART NUMBER : JCN-H2AG



CHECKED <b>Leon</b>		UNLESS OTHERWISE SPECIFIED TOLERANCE		NAME <b>HDM1 A 2.0.1 Row SMT Offset 0.075mm Dip Shell,Receptacle</b>	
APPROVED <b>Xavier</b>		Dimension Range Tolerance		SCALE UNIT <b>NA mm</b>	
REV.	SIZE	SIZE	SHEET	Material/Plating/Colors	
X1	A4	±0.35	1/2	①SHIELD : STAINLESS STEEL/NICKEL PLATING	
		±0.25		②HOUSING : HIGH TEMPERATURE PLASTIC	
		±0.15		③CONTACTS : COPPER ALLOY/NICKEL UNDERPLATED OVERALL LEAD FREE TIN ALLOY AT TERMINATION.	
		±5°		DOC. NO. JCN-H2AG	
HF RoHS		PART NO. JCN-H2AG		THIS IS A ROHS COMPLIANT COMPONENT PRODUCT.	
V-GENERAL TECHNOLOGY 維將科技股份有限公司		Design drawing			

MARK	NEW DESIGN	LEON	040620
	REVISION RECORD	DRAWN	MDDY'
	1		

