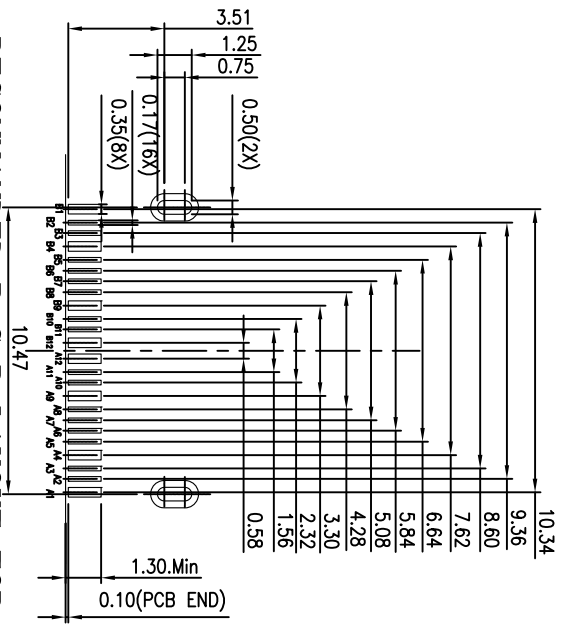


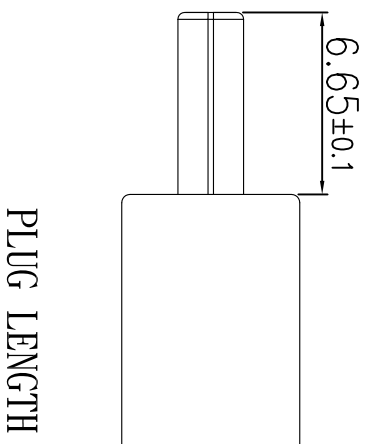
PART NUMBER : JCN-32CA

CHECKED Leon		UNLESS OTHERWISE SPECIFIED TOLERANCE		NAME JCN32 CA1 Row SMT/Hot 0.075mm-Pipe Shell DP Plug		SCALE UNIT N/A		SHEET 1/2		PART NO. JCN-32CA		HF ROHS		V-GENERAL TECHNOLOGY 維將科技股份有限公司	
APPROVED Xavier		Dimensional Range Tolerance		Material/Plating/Notes		mm		① CONTACTS : COPPER ALLOY/NICKEL		DOC. NO. JCN-32CA		THIS IS A ROHS COMPLIANT COMPONENT PRODUCT		Design drawing	
REV. X1		XX		② SHIELD : STAINLESS STEEL/NICKEL PLATING		±0.35		③ HOUSING : HIGH TEMPERATURE PLASTIC		JCN-32CA					
DRAWN MIDDYV		XXX		④ CONTACTS : HIGH TEMPERATURE PLASTIC		±0.25		⑤ UNFINISHED SURFACE		JCN-32CA					
DRAWN		XXX		⑥ ALLOY AT TERMINATION		±0.15		⑦ THROUGH HOLE SHELL: SPOC/NICKEL PLATING		JCN-32CA					
121219		ANGLE		⑧ THROUGH HOLD SHELL: SPOC/NICKEL PLATING		±5°				JCN-32CA					
NEW DESIGN		MARK								JCN-32CA					
REVISION RECORD		MARK								JCN-32CA					
1		1								JCN-32CA					
2		2								JCN-32CA					
3		3								JCN-32CA					
4		4								JCN-32CA					
5		5								JCN-32CA					

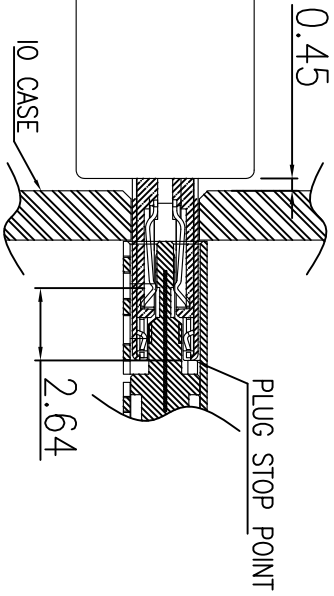


RECOMMENDED P.C.B LAYOUT TOP VIEW
TOLERANCES ± 0.05MM

PIN ASSIGNMENT		
Pin Number	Signal Name	Description
A1	GND	Ground for Power Return
A2	SS TX1+	Positive half of first SuperSpeed TX differential pair
A3	SS TX1-	Negative half of first SuperSpeed TX differential pair
A4	VBUS	POWER
A5	CC1	Configuration Channel
A6	D+	USB2.0 differential pair
A7	D-	USB2.0 differential pair
A8	SBU1	Sideband Use (SBU)
A9	VBUS	POWER
A10	SS RX2-	Negative half of second SuperSpeed RX differential pair
A11	SS RX2+	Positive half of second SuperSpeed RX differential pair
A12	GND	Ground for Power Return
B12	GND	Ground for Power Return
B11	SS RX1+	Positive half of first SuperSpeed RX differential pair
B10	SS RX1-	Negative half of first SuperSpeed RX differential pair
B9	VBUS	POWER
B8	SBU2	
B7		
B6		
B5	CC2	Configuration Channel
B4	VBUS	POWER
B3	SS TX2-	Negative half of second SuperSpeed TX differential pair
B2	SS TX2+	Positive half of second SuperSpeed TX differential pair
B1	GND	Ground for Power Return



PLUG LENGTH



PLUG INTO RECEPTACLE REPRESENT

CHECKED Leon		UNLESS OTHERWISE SPECIFIED TOLERANCE		NAME US93.2 Gen2x2 C1 Row STR0906K 0.075mm/Pipe Small DP-Plug		SCALE UNIT mm		MATERIAL/PLATED/FINISHES		PART NO.		HF ROHS		V-GENERAL TECHNOLOGY 維將科技股份有限公司	
APPROVED Xavier		Dimensional Range / Tolerance		SIZE		SHEET		① SHIELD : STAINLESS STEEL/NICKEL PLATING		JCN-32CA-AAAA-XXXX1		THIS IS A ROHS COMPLIANT COMPONENT PRODUCT.			
REV. X1		XX		40.35		2/2		② HOUSING : HIGH TEMPERATURE PLASTIC		JCN-32CA-AAAA-XXXX1					
DRAWN WIDDYV		XXX		40.25				③ CONTACTS : COPPER ALLOY/NICKEL UNDER PLATED OXFEN/LEAD FREE TIN		DOC. NO.					
REVISION RECORD		XXX		40.15				④ THROUGH HOLD SHELL: SPC/NICKEL PLATING		JCN-32CA-AAAA-XXXX1					
DRAWN 121219		ANGLE		45°											
NEW DESIGN															
REVISION RECORD															