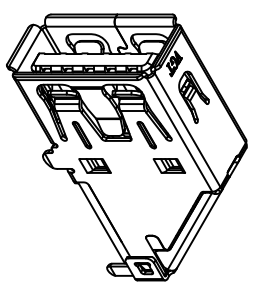


Section A-A



ASSEMBLY DIMENTION

PART NUMBER : JCN-31AF-AUAB-XXX1

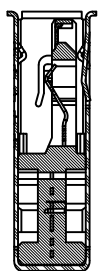
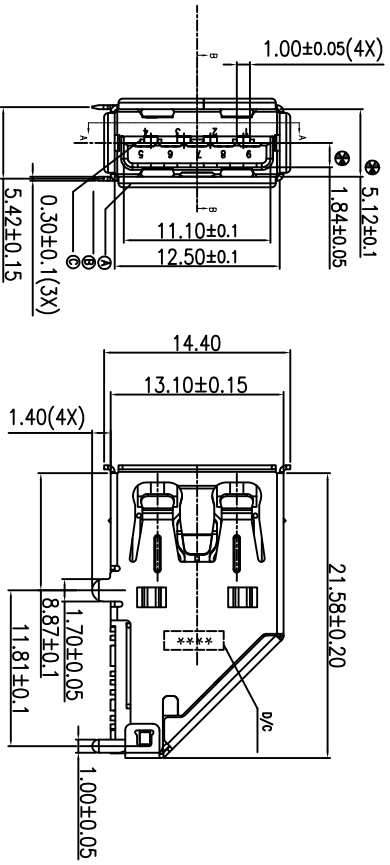
Plastic Color: _____
 A=Blue
 B=Black
 F=White

Gold plating:
 C=10μ"
 D=15μ"
 E=30μ"

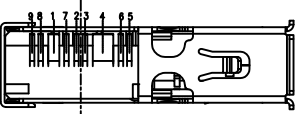
Package:
 R=Reaping Reel
 T=Tray
 U=Tube

NOTES:

1. ELECTRICAL CHARACTERISTICS:
 - 1-1 CONTACT CURRENT RATING: 1.8A FOR VBUS PIN AND ITS CORRESPONDING GND PIN, 0.25A MIN FOR ALL OTHER CONTACTS.
 - 1-2 CONTACT RESISTANCE: INITIAL 30 MILLIOHMS MAX FOR VBUS AND GND CONTACT, INITIAL 50 MILLIOHMS MAX FOR ALL OTHER CONTACT, AFTER DURABILITY 10 MILLIOHMS MAX CHANGE.
 - 1-3 DIELECTRIC WITH STANDING: 100 V AC
2. MECHANICAL CHARACTERISTICS:
 - 2-1 CONNECTOR MATING FORCE: 35N MAX
 - 2-2 CONNECTOR UNMATING FORCE: 10N MIN INITIAL,8N MIN AFTER DURABILITY.
 - 2-3 DURABILITY: 5000 CYCLES.
 - 2-4 OPERATING TEMPERATURE RANGE: -20°C TO +85°C
3. DIMENSIONS ARE IN MILLIMETERS, BRACKETED DIMENSIONS ARE INCHES EQUIVALENTS.
4. RECOMMENDED PROCESS: IR REFLOW PEAK TEMPERATURE 260°C
5. THE CONNECTOR IS ROHS COMPLIANT AND HALOGEN FREE.
6. WHEN PLUG IS INSERTED INTO CONNECTOR IN WORSE CONDITION, SPRING TIP TOUCH PCB, SO INHIBIT CIRCUIT IN SPRING TIP AREA.



Section B-B



CHECKED	Steve	UNLESS OTHERWISE SPECIFIED TOLERANCE	NAME	US83 Gen1 A.1 Row SMT, 4000, Dip Shell, Receptacle (4000)
APPROVED	Mgrvin	Dimensional Tolerance	SCALE	UNIT
REV.	X0	XX	NA	mm
		XXX	A4	mm
		XXXX	1/3	mm
		ANGLE		45°

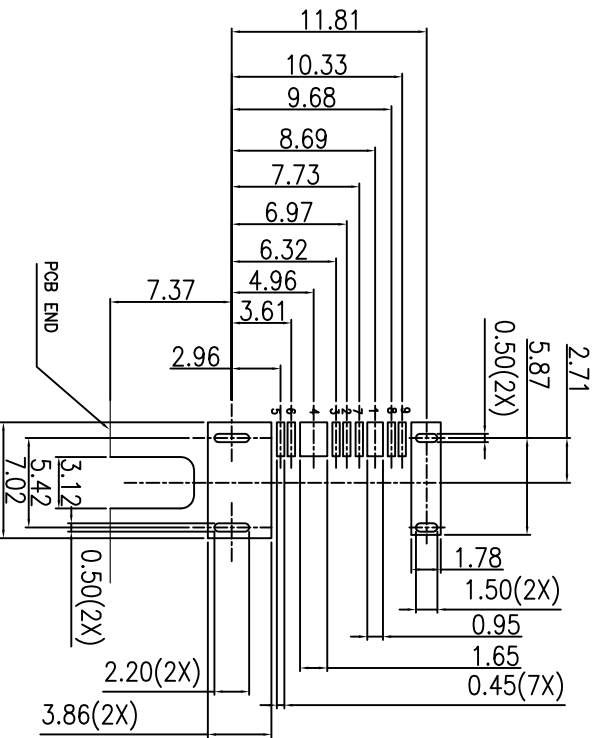
Material/Plating/Finishes
 SHIELD : STAINLESS STEEL/NICKEL PLATING
 HOUSING : HIGH TEMPERATURE PLASTIC
 CONTACTS : COPPER ALLOY/NICKEL UNDERPLATED OVERLEAD/FREE TIN
 ALLOY AT TERMINATION.

PART NO.	JCN-31AF-AUAB-XXX1
DOC. NO.	JCN-31AF-AUAB-XXX1

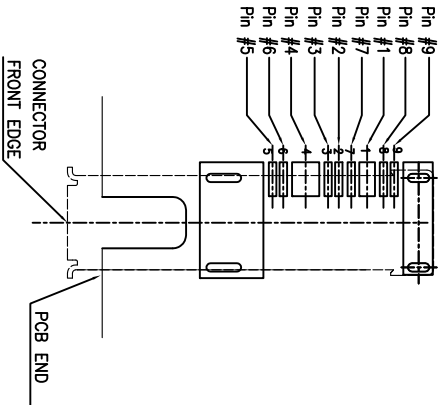


MARK	X0	NEW DESIGN	DRAWN	MWIDDY
		REVISION RECORD	DRAWN	111921

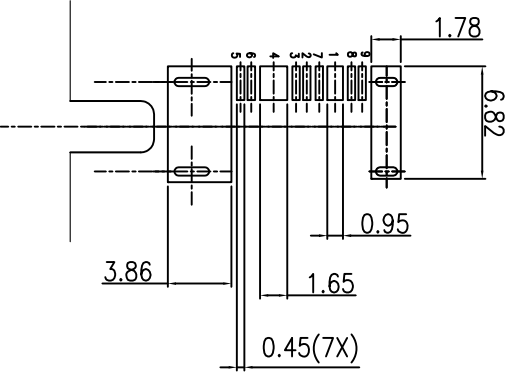
PIN ASSIGNMENT		
Pin Number	Signal Name	Description
1	VBUS	POWER
2	D-	USB2.0 differential pair
3	D+	
4	GND	Ground for Power Return
5	SS RX-	Superspeed receiver differential pair
6	SS RX+	
7	GND DRAIN	Ground for Power Return
8	SS TX-	Superspeed transmitter differential pair
9	SS TX+	



PCB Foot Printer Dimension
TOP VIEW Tolerance: $\pm 0.01\text{mm}$



Connector Pin Define
Sequence



SMT Stencil Aperture Dimension
TOP VIEW Tolerance: $\pm 0.01\text{mm}$

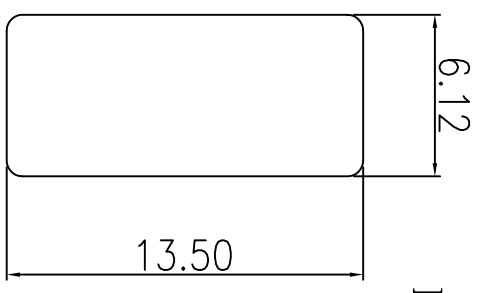
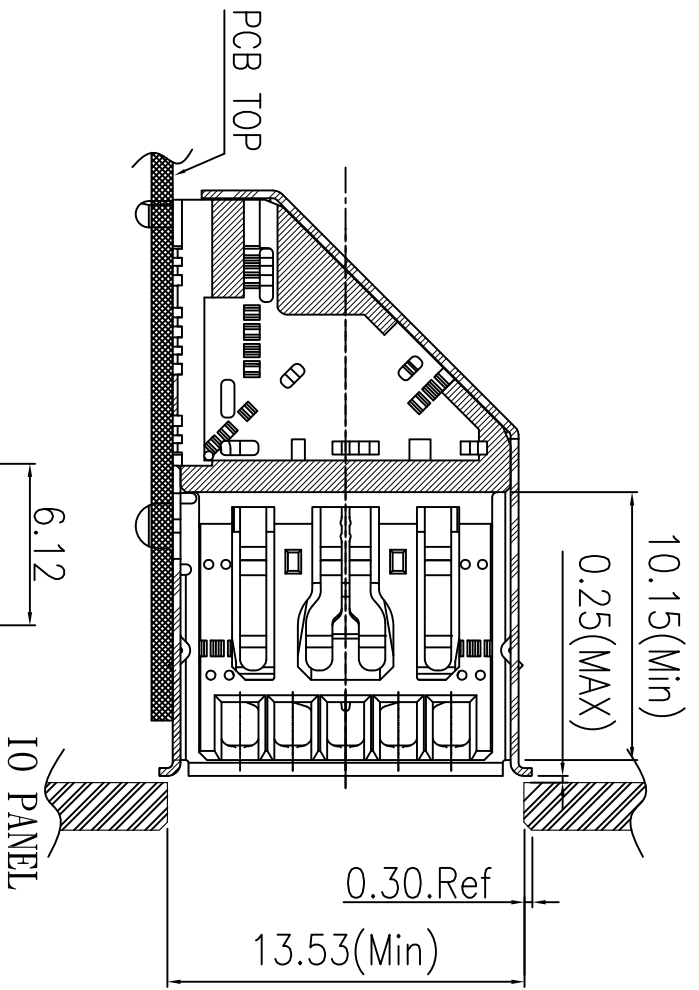
CHECKED		UNLESS OTHERWISE SPECIFIED TOLERANCE		NAME		US93 Gen1 A.1 Row SMT, Dip Shell/Receptacle	
Steve		Dimensional Tolerance		SCALE	UNIT	Material/Plating/Finishes	
APPROVED		Margin		N/A	mm	SHIELD : STAINLESS STEEL/NICKEL PLATING	
REV.		X0		±0.35		HOUSING : HIGH TEMPERATURE PLASTIC	
DRAWN		MIDDY		±0.25		CONTACTS : COPPER ALLOY/NICKEL	
DRAWN		111921		±0.15		UNDERPLATED OVERLEAD FREE TIN	
MARK		1		SIZE	SHEET	ALLOY AT TERMINATION	
NEW DESIGN		REVISION RECORD		A4	2/3		

HF ROHS

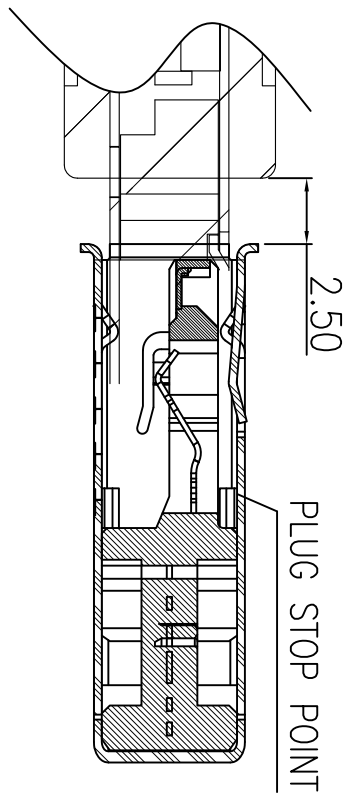
THIS IS A ROHS COMPLIANT COMPONENT PRODUCT

V-GENERAL TECHNOLOGY

維將科技股份有限公司



Panel Cut out



PLUG INTO RECEPTACLE REPRESENT

CHECKED Steve		UNLESS OTHERWISE SPECIFIED TOLERANCE		NAME US83 Gen1 A1 Row SURT, Dip Shell, Receptacle (Gen1)		SCALE N/A		UNIT mm		SHEET 3/3		PART NO. JCN-31AF-AUAB-XXX1		HF ROHS		V-GENERAL TECHNOLOGY 維將科技股份有限公司	
APPROVED Mgr'n		Dimensional Tolerance		Material/Plating/Finishes		SIZE		SHIELD : STAINLESS STEEL/NICKEL PLATING		CONTACTS : COPPER ALLOY/NICKEL UNDERPLATED OVERLEAD FREE TIN		DOC. NO. JCN-31AF-AUAB-XXX1		THIS IS A ROHS COMPLIANT COMPONENT PRODUCT.			
REV.	REV.	XX	±0.35	①	②	A4											
X0	X0	XXX	±0.25	③	④												
MARK	MARK	XXX	±0.15	⑤	⑥												
		ANGLE	±5°														

NEW DESIGN	DRAWN	MIDDYV	
REVISION RECORD	DRAWN	111921	